

WASH EXTENSION v4

AUTOMATIC SOLAR UPS PUMPING SYSTEM

SPECIFICATIONS

Components 16 gal. reservoir, diaphragm pump, control board, solar-powered UPS, liquid level sensor, mounting bracket, M12 5pin receptacle

Reservoir 16 Gallons (60.5 Liters)

Pump 60 PSI Max, 1 GPM Flow Rate
12V DC
Valves: Viton
Diaphragm: Santoprene

Control Board Programmable pump control
Modbus RS-485 master or slave
Temperature and humidity sensor
Wash sense (pump current measurement)
Liquid level sensor (1/4 tank left)

Solar-powered UPS

Solar Module
Max power (Pm): 20W
Short circuit current (Isc): 1.14 A
Open circuit voltage (Voc): 21.3 V
Max Power Point Voltage (Vmpp) : 18.53V

Charge Controller
Morningstar SG-4 SunGuard
Regulation voltage: 14.1 V
Rated Input: 4.5 A
Max solar voltage: 30 V

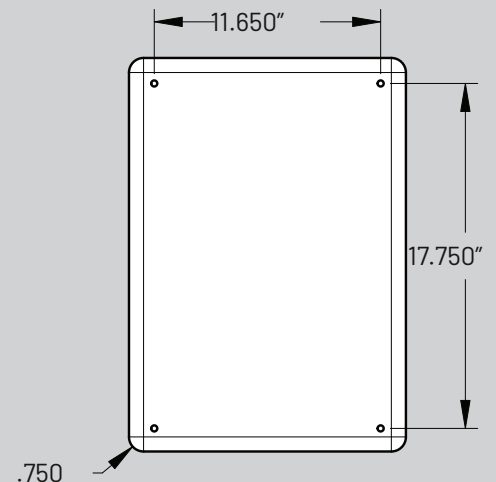
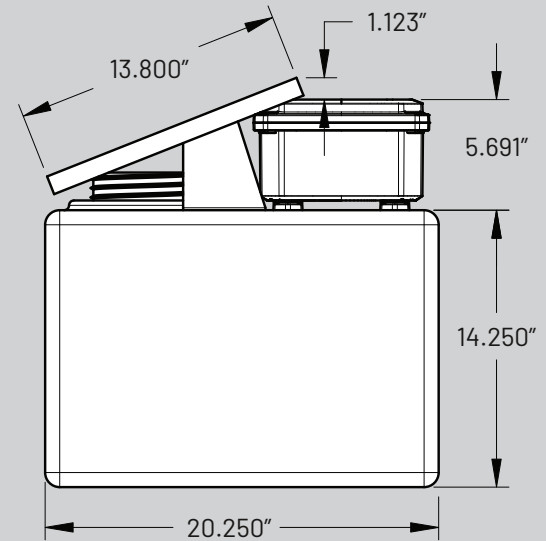
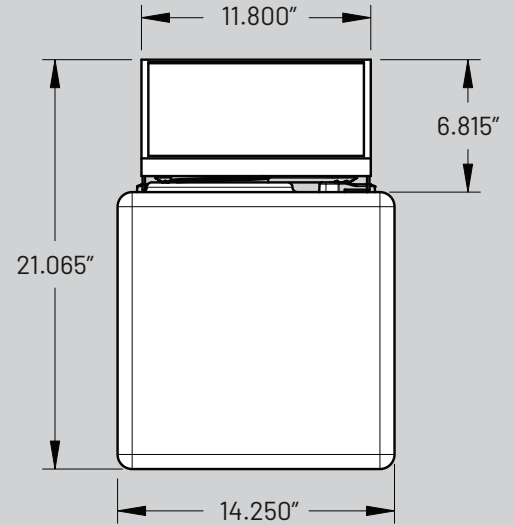
Battery
Type: Sealed lead acid
Nominal Voltage: 12 V
Nominal Capacity: 2.3 Ah

Dimensions 20.25" x 21.1" x 14.25"

Weight Dry: 25 lbs
Wet: 150.2 lbs

Electronic Temp. Range -20°C to +75°C

Warranty 5 years / Unlimited*



SCAN FOR MORE
INFORMATION OR
VISIT FRACSUN.COM
INFO@FRACSUN.COM
(805)242-3722