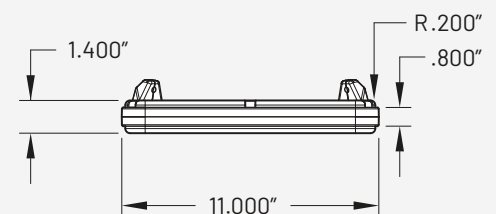
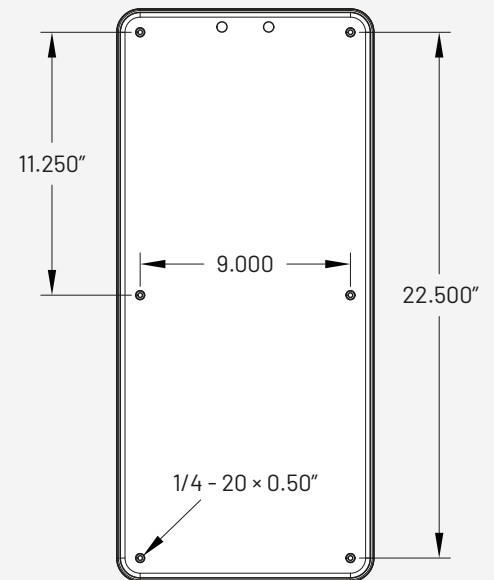
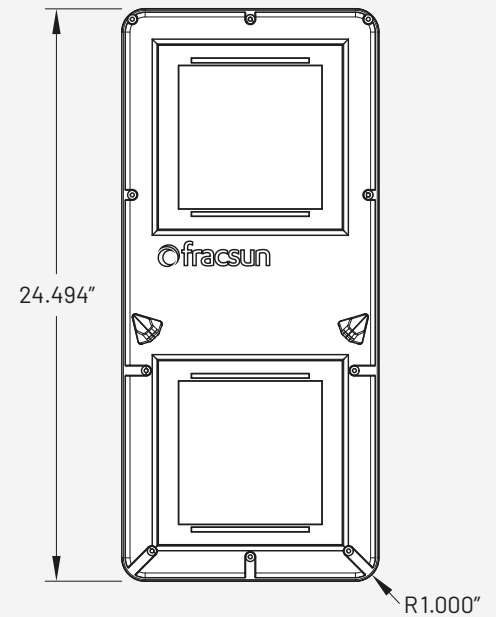




SPECIFICATIONS

Soiling Measurements	<ul style="list-style-type: none"> • Daily soiling loss (% of daily insolation loss) • Soiling rate (moving average, % loss/day) • Soiling ratio (IEC standard 61724-1) • Transmission loss (% , instantaneous)
Irradiance	0 - 1320 W/m ² , ±0.5%*, temperature correction
Power and Battery	Solar powered, 1300 mAH extended temperature Lithium-Titanate (LTO) chemistry
Data Connection	Cellular 3G (Global) or LTE Cat M1 (Nor-Am), Modbus RTU RS-485
Data Retrieval	Fracsun Web Portal, interactive charts, CSV export, RESTful API integration, Modbus
Reference Cell	Polycrystalline cell, solar glass with standard ARC coating, white backsheet, EVA encapsulant
Self-Calibration	Easy 1x / year, on-site, OTA or local Modbus. No off-site lab calibration required.
Mechanical Load Rating	+/- 2400 Pa for wind +5400 Pa for snow loading
Enclosure IP Rating	IP66
Cleaning System	2x SS spray nozzles, 60psi max, 16 gal reservoir with pump available (Wash Extension accessory)
Mounting Holes	(6) 1/4"-20 brass inserts
Dimensions	24.5" × 11" × 1.4"
Weight	7.5 lbs
Electronic Temp. Range	-20°C to +75°C
Warranty	1 Year Workmanship
Accessories	<ul style="list-style-type: none"> • Wash Extension w/ Tank Level and Wash Sense • Purlin Bracket Kit • HSAT Bracket Kit



ARES CS4

PHOTOVOLTAIC SOILING LOSS MANAGEMENT

FRACSUN.COM

info@fracsun.com

(805) 242-3722